

RF ELECTRONIC PROGRAMMABLE ROOM THERMOSTAT, 7 DAY FITTING INSTRUCTIONS

This kit is suitable only for the domestic gas boilers listed below:

Logic Combi C
Logic Combi C IE
Logic Combi ESP1

Logic Code Combi ESP1
Logic+ Combi C
Logic Max Combi C

Independent Combi
Independent+ Combi
i-mini C

Vogue Combi C GEN2
Vogue Combi C IE GEN2
Vogue Max Combi



ALWAYS switch off and disconnect the electricity supply to the appliance before installing the Receiver/Programmer. Merely switching the boiler OFF/SUMMER/WINTER/RESET switch to 'OFF' will still leave a live feed to the boiler.

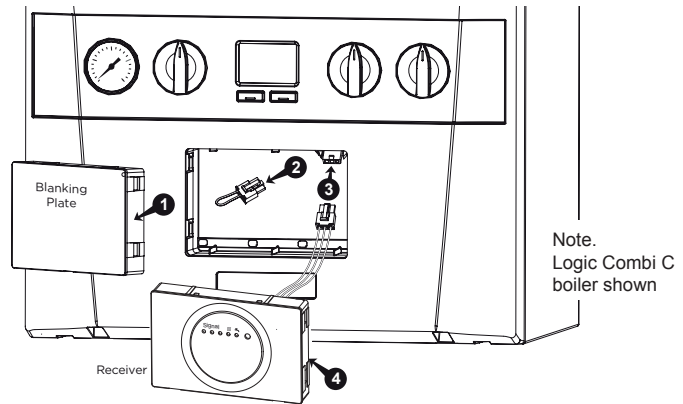
Ideal PRT3

Class V when used in isolation. Class VI used in conjunction with Weather Compensation Contribution to Seasonal Space Heating Energy Efficiency - 3% (Class V), 4% (Class VI)

Note. The receiver and room thermostat must be installed as a matched pair. If one is replaced, the other must be replaced.

INSTALLING THE RECEIVER

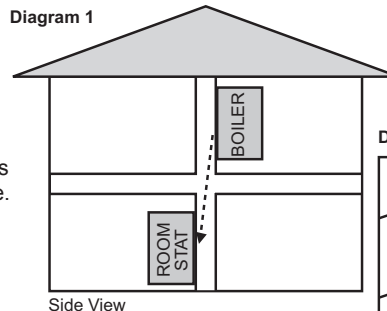
1. Ease out the blanking plate using screwdriver slot situated at the bottom centre of the plate and discard.
2. Remove the link wire plug and discard.
3. Connect the electrical plug as shown.
4. Locate and push the transceiver assembly into the control box housing.



INSTALLING THE RF ELECTRONIC PROGRAMMABLE ROOM THERMOSTAT

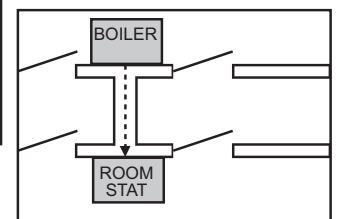
1. Select a suitable position for the room thermostat by considering the following:
 - The maximum distance between room thermostat/programmer and boiler is 20m depending on obstructions.
 - The room thermostat should be 1.5m high on a wall located in the space to be heated. Avoid location affected by draughts created by windows/doors, or heating effects created by independent heaters. It is advisable to not have TRV's fitted on radiators in the same room space.
 - Between the boiler and the room thermostat there must be no:
 - large metallic objects (e.g. kitchen appliances),
 - steel reinforced walls
 - large mirrors or windows
 - There must be no more than 2 walls and 1 ceiling between the boiler and the room thermostat.
 - There must be no walls running along the path between the boiler and the room thermostat (see diagrams 1 & 2).
 - 2. The room thermostat can be placed on the stand supplied in the box otherwise remove the wall mounting panel from the rear of the room thermostat by using a flat head screwdriver.
 - 3. Pull out cardboard tab from battery compartment.
 - 4. Place the room thermostat in proposed location (make sure you are not holding the room thermostat as this can interfere with the communication link to the receiver). Press the reset button on the room thermostat. If 4 or 5 lights are continuously lit on the receiver then communication is established and OK should be pressed. If less than 4 lights are lit then this location is not suitable for the control (note trouble shooting guide). At the same time "M-050 S-050" is shown on the room unit. The number is another indicator of signal strength - the lower the number the better.
 - 5. Once a suitable location is found secure the control to the wall using the mounting panel.

Diagram 1



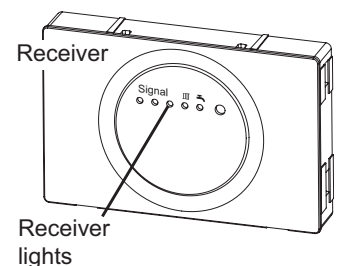
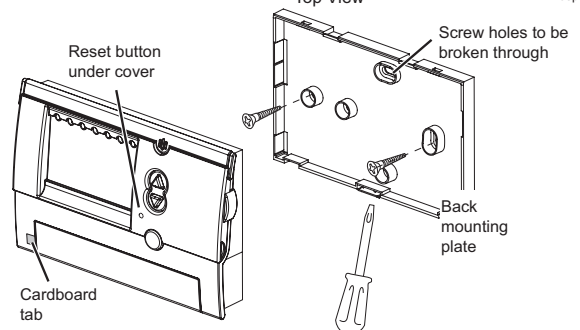
Side View

Diagram 2




Top View

esp9575



Once installation of the programmer and receiver is complete, refer to programmer user guide for setup

TROUBLE SHOOTING

FAULT	ACTION
Central Heating will not switch on	Check that the room thermostat is set to "CONT ON" or is in a programmed period
	Check that the room temperature is set to 30°C (press the "+" key on the room control until temperature = 30°C)
	Check that the power to the boiler is switched on
	Logic: Ensure that the "MODE" knob on the front of the boiler is in the winter  position Vogue: Ensure DHW & CH knobs are rotated fully clockwise.
	Change the batteries in the room thermostat
	Press the reset button on the room thermostat if less than 4 lights are lit on the receiver then the room thermostat is either too far away from the boiler or there are unsuitable materials in between the boiler and the room thermostat (note diagrams 1 & 2)
	Replace both the receiver and the room thermostat for a new pair.
Central Heating will not switch off	Check that the room thermostat is set to "CONT OFF" or is in a programmed off period
	Press the reset button on the room thermostat if less than 4 lights are lit on the receiver (fig 8) then the room thermostat is either too far away from the boiler or there are unsuitable materials in between the boiler and the room thermostat
	Change the batteries in the room thermostat.
	Replace both the receiver and the room thermostat for a new pair.

BATTERY REPLACEMENT

Batteries should operate for approximately 18 to 24 months.

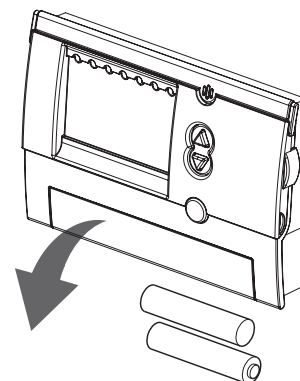
Only good quality alkaline batteries should be used.

To replace batteries remove battery panel on the front of the room thermostat and replace the batteries. Refit the battery panel.

Note that if the batteries are removed for more than 30 secs, the time, date and set temperature will be lost.

If the batteries are not replaced and no signal is received by the receiver all 5 lights on the receiver on the boiler will flash on and off.

After 1 hour the boiler will operate in "Emergency Mode" with a continuous, but reduced temperature until the batteries are replaced.



Batteries - 2x 1.5V LR6/AA



WEEE DIRECTIVE 2012/19/EC

Waste Electrical and Electronic Equipment Directive

- At the end of the product life, dispose of the packaging and product in a corresponding recycling centre.
- Do not dispose of the unit with the usual domestic refuse.
- Do not burn the product.
- Remove the batteries.
- Dispose of the batteries according to the local statutory requirements and not with the usual domestic refuse.