



# Logic+ System

S15 S18 S24 S30



Compact cupboard fit



Easy to see pressure gauge



Touch RF Heat & System compatible



Add an Ideal System Filter to increase the heat exchanger warranty by an additional 2 years



NOx class 6



Frost protection



Easy to use fully back-lit LCD display



UP TO £40

EARN INSTALLER CONNECT POINTS FOR EVERY LOGIC+ SYSTEM YOU REGISTER



www.idealboilers.com |

welcome to our ideology

\*7 year warranty available until 31.12.2018. Subject to terms and conditions. 7 year parts and labour warranty available when registered within 30 days of installation. 10 year warranty available on heat exchanger when installed with an Ideal System Filter.

# Features & specification

## QUALITY AND RELIABILITY AS STANDARD

- Low component count maximising reliability
- Latest generation Honeywell gas valve
- Built in frost protection
- Ideal System Filter compatible

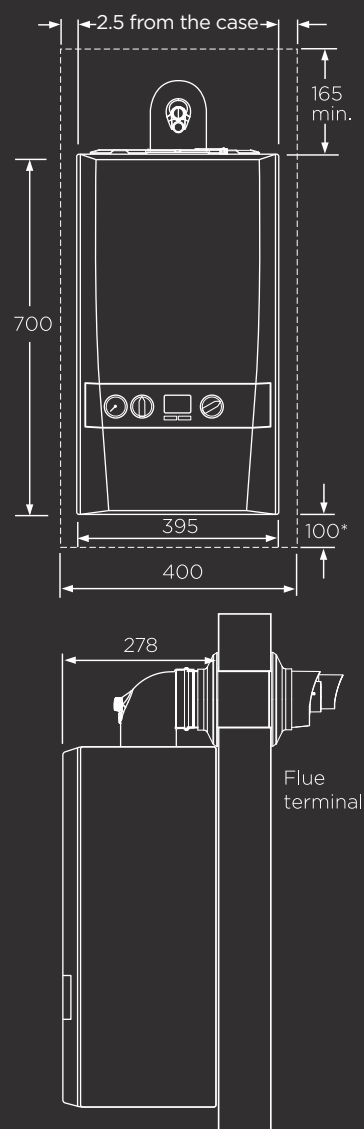
## EASY TO INSTALL AND SERVICE

- Low boiler lift weight of 26.1kg
- Compact cupboard fit
- Easy to see pressure gauge
- Stand-off kit including pre-pipe options
- Wide range of flueing options
- Preformed copper tails
- Pre-wired mains lead (2m) & spare fuses included
- Safety valve outlet pipe included

## END USER BENEFITS

- Award winning range
- Service indication
- Compatible with a range of additional controls inc. weather compensation and OpenTherm controls
- LPG conversion kit available for 30 kW boilers

## Clearances & dimensions



Dimensions in mm.

## Technical specification

LOGIC+ SYSTEM MODELS	S15	S18	S24	S30
Weight (packaged) kg	31.6	31.6	31.6	31.6
Max installation weight kg	26.2	26.2	26.2	26.2
CH output (kW) min/max mean 70°C	4.8 - 15.0	4.8 - 18.0	4.8 - 24.2	6.1 - 30.3
CH output (kW) min/max mean 40°C	5.1 - 15.9	5.1 - 19.1	5.1 - 25.6	6.4 - 31.0
DHW output (kW) max	n/a	n/a	n/a	n/a
DHW flow rate l/min. 35°C rise	n/a	n/a	n/a	n/a
SEDBUK rating (2005) %	91.2	91.1	91.2	91.1
SEDBUK rating (2009/2012) %	89.4	89.7	89.7	89.6
NOx classification	CLASS 6	CLASS 6	CLASS 6	CLASS 6
LPG conversion	No	No	No	Yes
Max horizontal flue	9m	9m	9m	8m
Max vertical flue	7.5m	7.5m	7.5m	7.5m
Powered vertical flue	22m	22m	22m	22m
Seasonal space heating efficiency class	A	A	A	A
Seasonal space heating energy efficiency $\eta_s$ %	93	93	94	93
Sound power level, indoors L <sub>WA</sub> dB	44	46	48	48
Water heating energy efficiency class	n/a	n/a	n/a	n/a

Clearances & dimensions note: The minimum front clearance when built into a cupboard is 5mm from the cupboard door but 450mm overall clearance with the cupboard door open is required for servicing.  
\*Bottom clearance after installation can be reduced to 5mm. However, 100mm is required for servicing.

Ideal Boilers, PO Box 103, National Avenue, Kingston upon Hull, East Yorkshire, HU5 4JN.  
T: 01482 492251 E: ideal@idealboilers.com